

COMBINATION SQUARE SETS



2278-2

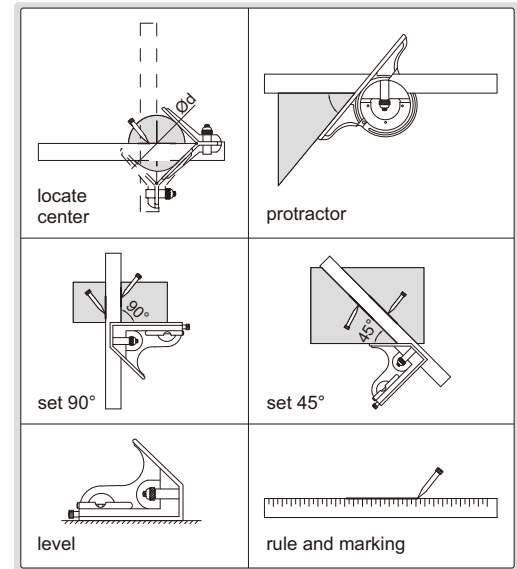
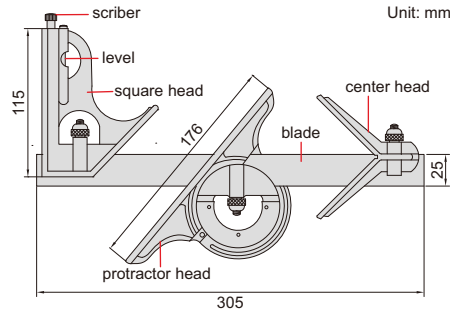


2278-3



2278-180

- Center head (made of cast iron): to locate center of cylinders with diameter (\varnothing d): 30-100mm accuracy: ± 0.15 mm
- Protractor head (made of cast iron): set the blade at desired angle to an edge of a workpiece, and can be used to measure angles range: 0-180° accuracy: ± 20 min.
- Square head (made of cast iron): set the blade at 90° or 45° to an edge of a workpiece accuracy: ± 8 min for 90° square, ± 10 min for 45° square
- Blade (made of stainless steel): range: 300mm/12", graduation: 0.5mm and 1/32" on front face, 1mm and 1/64" on back face
- Optional accessory: rigid rule (code 7113)



Code	Remark
2278-2	2-piece set
2278-3	3-piece set
2278-180	4-piece set